



WOLTMAN TYPE WATER METER

(with Removable Mechanism)



RWMC-DN50~DN500

APPLICATION :

Measuring the volume of cold water passing through the pipeline.

FEATURES :

- Magnetic drive, lower transmission resistance.
- Dry dial register ensures clear reading.
- Register may be rotated through 360°
- The measuring mechanism can be removed from the body for checking, maintaining and replacing, and the body don't need to be dismantled from the pipe.
- Low pressure loss, long working life.
- Not affected by external magnetic field.

WORKING CONDITION :

Water temperature : $\leq 50^{\circ}\text{C}$

Water pressure : $\leq 1.6 \text{ MPa}$

COMPLIANCE WITH STANDARD :

- ISO 4064:1993 CLASS B

MAXIMUM PERMISSIBLE ERROR :

1. In the lower zone from Q_{\min} inclusive up to but excluding Q_t is $\pm 5\%$.
2. In the upper zone from Q_t inclusive up to and including Q_s is $\pm 2\%$.

INSTALLATION REQUIREMENTS :

- The meter can be installed in any position with the direction of the flow as indicated by the arrow cast in the meter body with the register face upwards.
- The meter must have 10 diameters straight pipe ahead of the meter and 5 diameters straight pipe after to insure proper flow through the meter.
- Pipeline must be flushed before installation.
- The meter should be constantly full of water during operation.

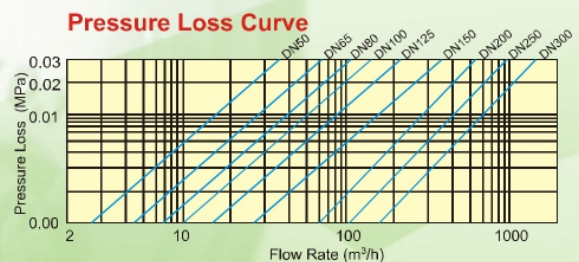
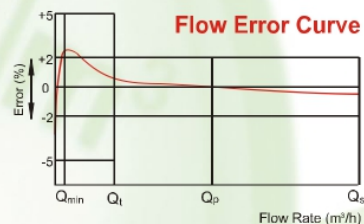
Conforming to :



TECHNICAL CHARACTERISTICS :

MAIN TECHNICAL SPECIFICATIONS

Type	Size (mm)	Q_s	Q_p	Q_t	Q_{\min}	Min. Reading	Max. Reading
		Overflow Flow	Permanent Flow	Transitional Flow	Min. Flow		
(m ³ /h)					m ³		
RWMC-50	50	30	15	3.0	0.45	0.001	999,999
RWMC-65	65	50	25	5	0.75	0.001	999,999
RWMC-80	80	80	40	8.0	1.2	0.01	999,999
RWMC-100	100	120	60	12	1.8	0.01	999,999
RWMC-125	125	200	100	20	3	0.01	999,999
RWMC-150	150	300	150	30	4.5	0.01	999,999
RWMC-200	200	500	250	50	7.5	0.01	9,999,999
RWMC-250	250	800	400	80	12	0.01	99,999,999
RWMC-300	300	1200	600	120	18	0.1	99,999,999
RWMC-400	400	2000	1000	200	30	1	99,999,999
RWMC-500	500	3000	1500	300	45	1	99,999,999

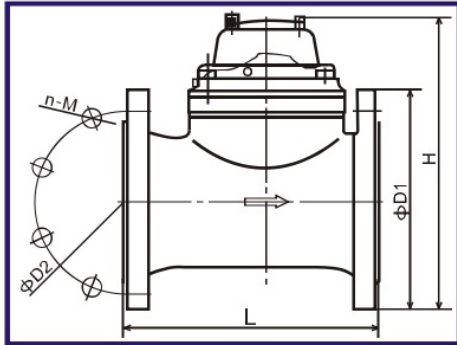


WOLTMAN TYPE WATER METER

(with Removable Mechanism)



DIMENSION PICTURE :



DIMENSIONS :

Type	Size	L Length	H Height	Connecting Flange		
				F D1 Outside diameter	F D2 Bolt circle diameter	Connecting Bolts (n-M)
RWMC-50	50	200	261	165	125	4-M16
RWMC-65	65	200	271	185	145	4-M16
RWMC-80	80	225	279	200	160	8-M16
RWMC-100	100	250	289	220	180	8-M16
RWMC-125	125	250	299	250	210	8-M16
RWMC-150	150	300	319	285	240	8-M20
RWMC-200	200	350	346	340	295	8-M20
RWMC-250	250	450	434	405	355	12-M20
RWMC-300	300	500	459	340	295	12-M20
RWMC-400	400	600	630	565	515	16-M24
RWMC-500	500	800	738	620	570	20-M24



Our Other Products



Domestic WATER METER



ENCLOSED type WATER METER



EEC (MID) Approved WATER METER



AMR System



Rowaco's **MOKX** A series of **ELECTRONIC WATER METER**



Hot WATER METER



Mechanical Zero Reset WATER METER

Electronic Zero Reset WATER METER



Rowaco's **MAXIT** A flangeless basket type **STRAINER**



Flange Type HELIX STRAINER



WATER METER BOX

Guaranteed Technical Response in 24 Hrs
Just give us a call
033-3262 1777



ROYAL HYDROMAX ENGINEER

Works : Baltikuri, Brambhan Para,
Near Atchalamath, Howrah, Dasnagar - 711113,
West Bengal, India.
Contact : +91-7980362876/9804633630.
Email - royalhydromaxengineer@gmail.com
Web : www.rawacometers.com